

LV-S72

Sensor head, Spot Thrubeam, Small (with slit)

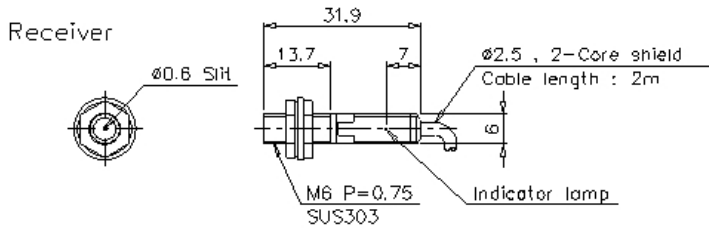
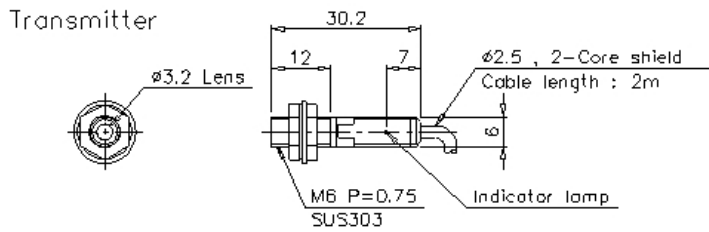


SPECIFICATIONS

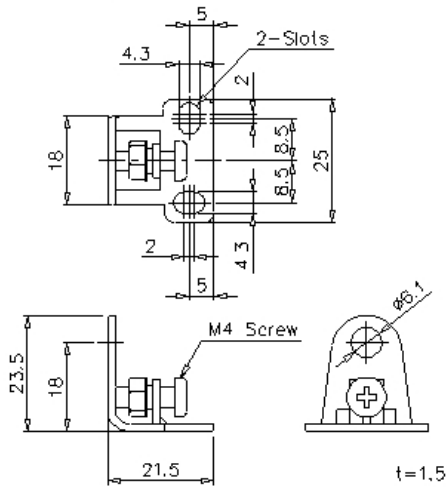
Model	LV-S72	
Type	Small (with slit)	
Laser Class	Class 1 Laser Product	
Light source	Visible red semiconductor laser, Wavelength: 655 nm	
Detecting distance	MEGA	500 mm 19.69"
	ULTRA	
	SUPER	
	TURBO	
	FINE	
	HSP	
Laser Class	FDA class	Class 1 Laser Product
Environmental resistance	Operating temperature range	-10 to +50°C 14 to 122°F (No freezing)
Material	Case	Metal part: Stainless steel, Plastic part: Polyarylate
	Lens cover	Transmitter: Norbornene plastic Receiver: Glass
Weight	Approx. 70 g	

Dimensions

LV-S72

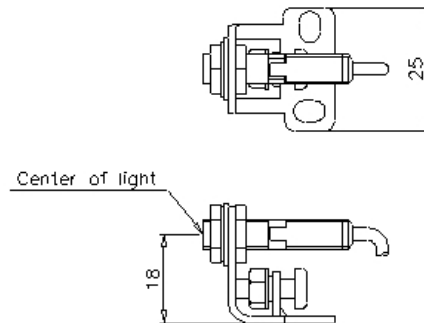


Mounting bracket



When mounting bracket is attached

Transmitter



Receiver

